

**Introducing our newest Broadcast Product Line- “Echo” Series Consoles – A hybrid solution that incorporates design features and accessories from our 2 best console solutions for Broadcast\_ NOC\_ Trading\_ Front of House and Editing applications**

- Fully Modular Components
- Durable Welded Tube Steel Construction
- Compact-Sleek design
- **SIT STAND CAPABILITY**

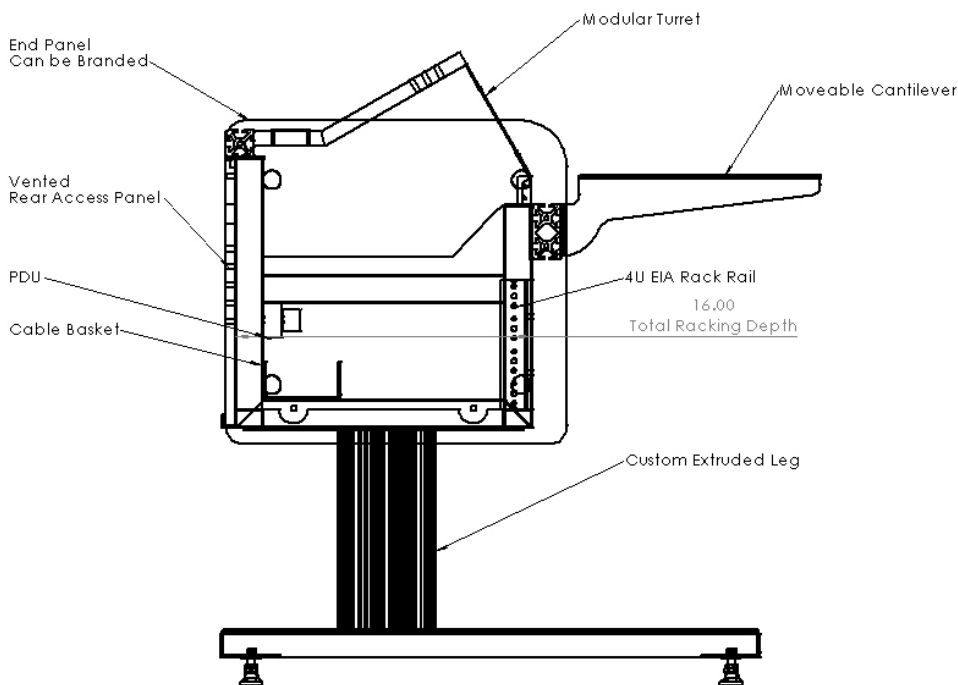


Figure 1 Standard, Static, Base Section

Modular Base Units: one- five bay assemblies. Each Bay is 20 1/8” Wide.

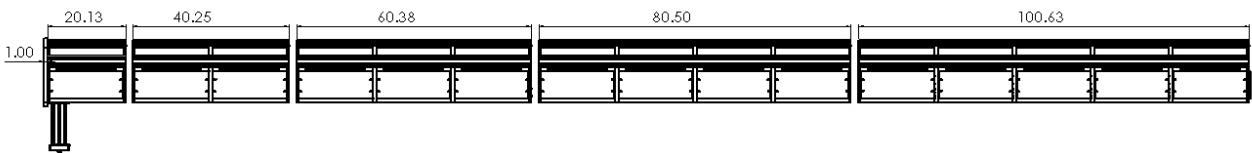
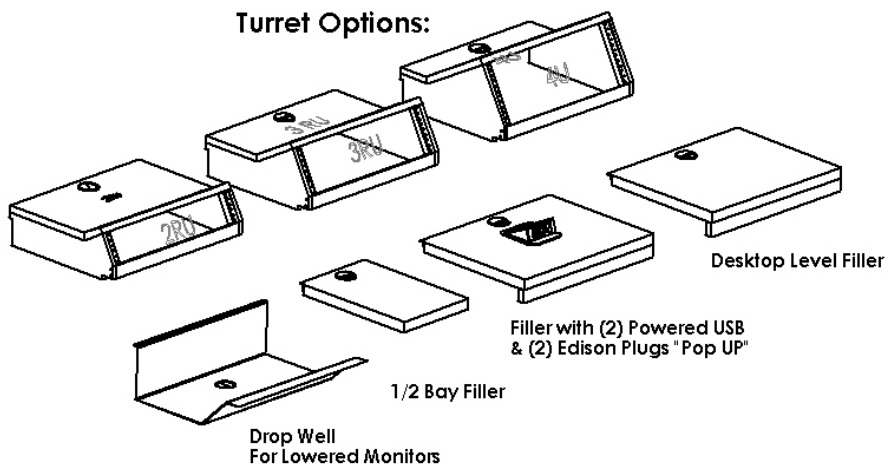


Figure 2 BASE Options

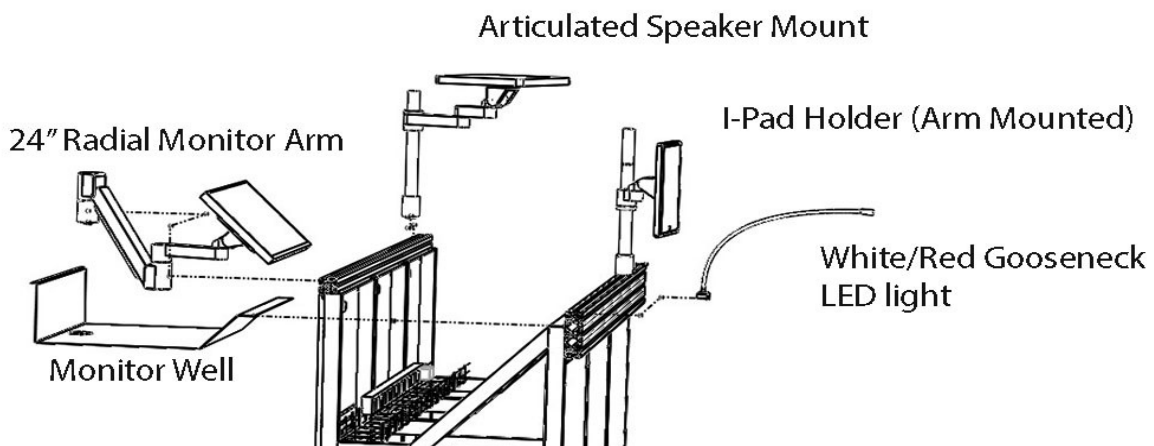
**Modular Turret Options:**

Turrets can be placed and moved anywhere along the width of the console bases. No tools are required.

Custom options are available-



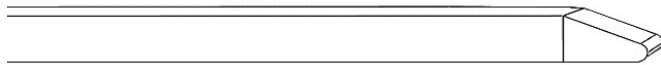
**Accessories: *More can be found below:***



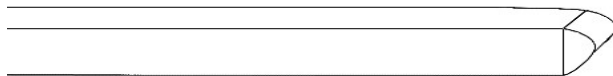
<https://www.lagunadesigns.com/accessories>

### Console Surface Options and Edge Treatment Options

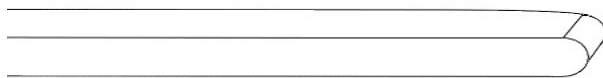
“Balanced” Composite tops are 1 1/8” Particle board with phenolic backer and choice of Laminate



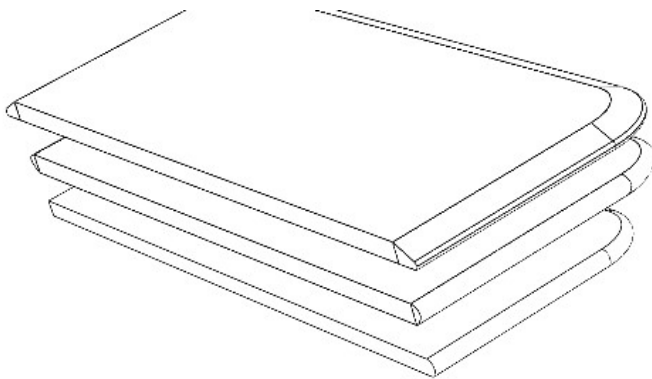
Full Profile Edge Option (Corian or Exotic Wood) 1 7/8”



Standard Molded Black Vinyl 5/16”

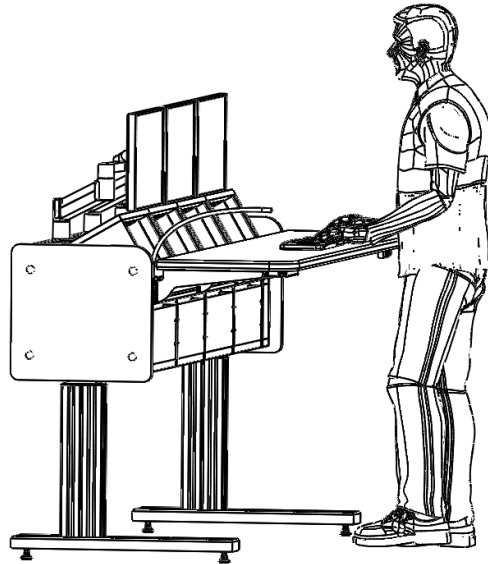


½ Round Edge- (for Translucent Acrylic)

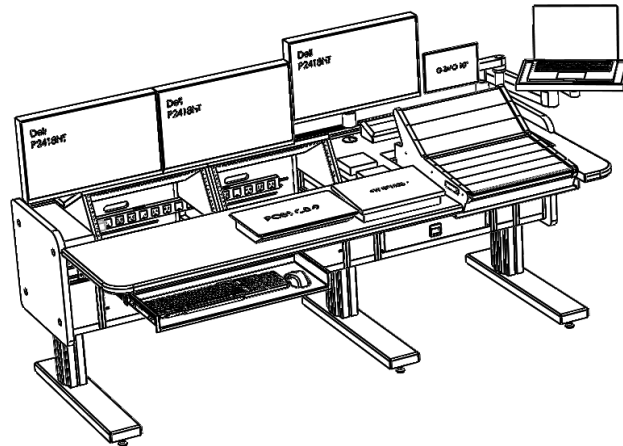


Console Surface options include: Laminate, Thermofoil, Solid Surface, Linoleum, and 3-Form Chroma acrylic. <https://www.lagunadesigns.com/finishes>

**TELEVATING: 22" Height Range- "Piezo" Saftey controlled lifts. Effortless and Silent.**



*Figure 4 4 Bay Two-Legged Edit Bay*



*Figure 5 Front Of House 3 Legged Televating*

**Sample Configurations:**



*Figure 6 Standard with Branded Side Panels*



Sample Configurations:

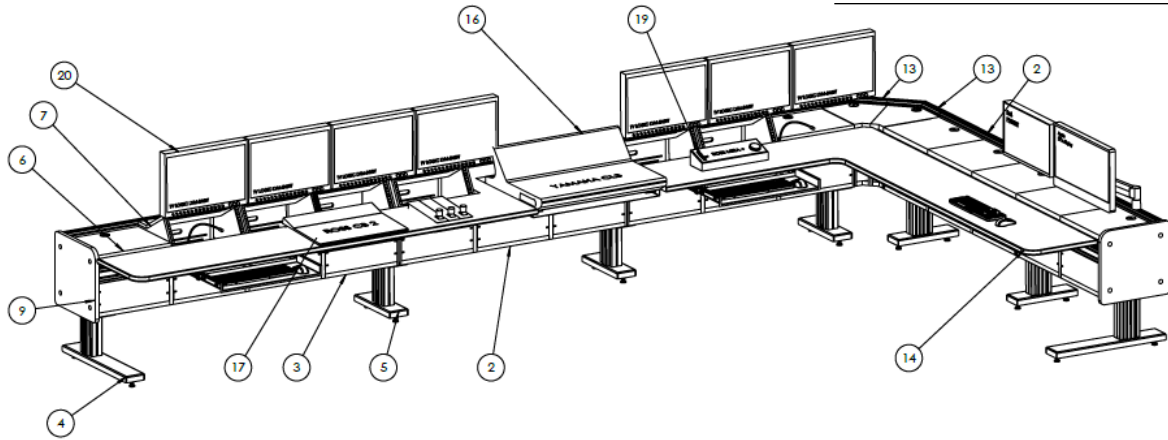


Figure 7 ISO View

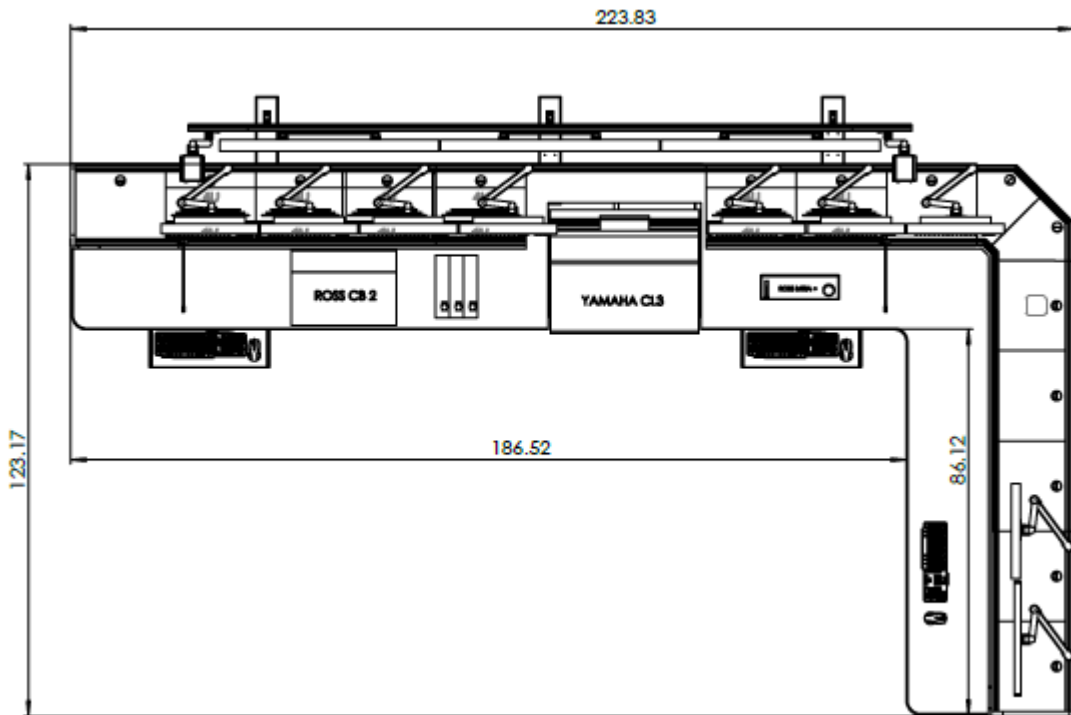


Figure 8 Small Control Room

Echo Rack Depths:

