

**Zephyr Product Guide**

Zephyr: “the west wind” is a furniture based console system that supports a number of technical applications with a variety of modular options. We have totally re-designed and refined this product line for 2015 from the bottom up. Zephyr consoles start as stand-alone desks in four standard sizes. Of course we can customize the surface shapes and apply your choice of finishes.



Figure 1. Z-3 Console configured with (3) 4U turrets

Zephyr is a simple and elegant solution for a variety of tasks. The optional, Electric Lift Base is whisper quiet and programmable. Recall your favorite “sit-stand” settings with just the touch of a button. The robust lift capacity is 275 lbs.

All Zephyr desks offer ample cable management, an accessory track for mounting ergonomic monitor arms and perfect speaker placement. Computers can be easily mounted to either leg extrusions or under the desk surface.

Zephyr desks are available on our “10 Day Quick Turn” program.

We can ship your desk in any finish selection within two weeks of receipt of order.

**Standard Sizing**

There are four standard widths available. All feature an accessory rail, cable and power management. Optional turret placement can be pre-ordered left, center, right or we can provide the turret opening and filler panels to enable you to easily configure or move the turrets to your desired location.

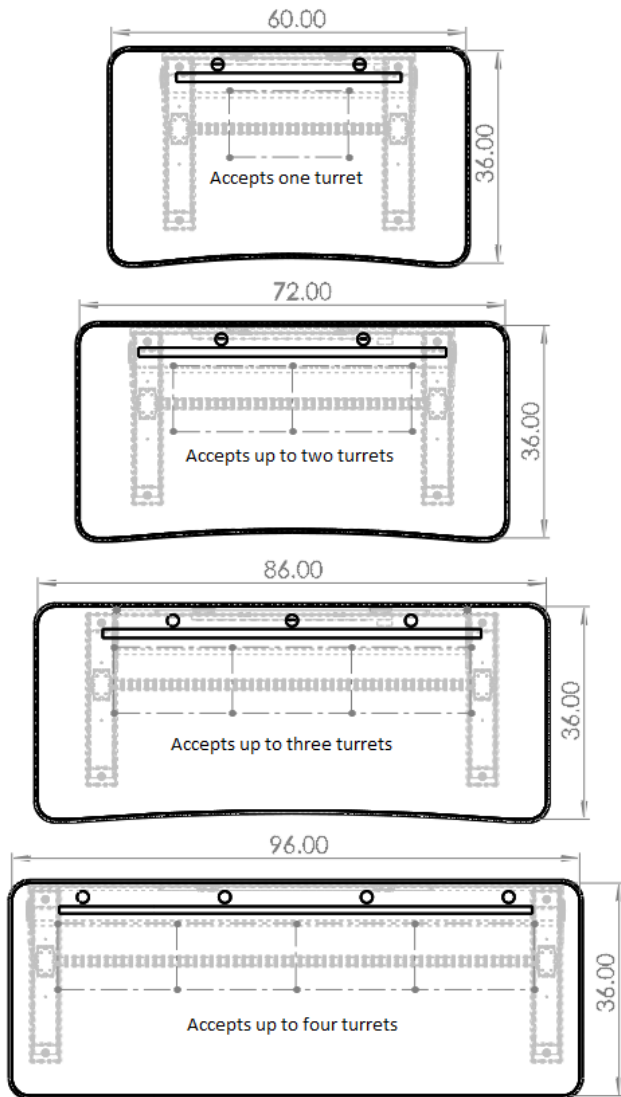


Figure 2a. Zephyr standard top sizes

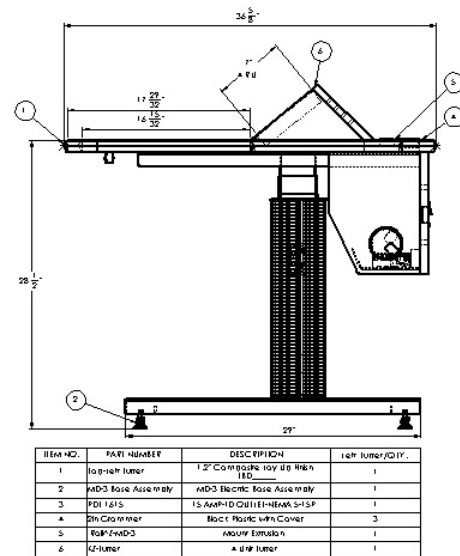


Figure 2b. Zephyr section view

**Custom Sizes:**

We can do a variety of shapes with custom widths and depths. For lengths greater than 100", we need to add a center, intermediate leg with a shorter foot. Longer tables with the additional intermediate legs can also include the electric lift option (up to 12')

**Finish Options**

Surface Options include High Pressure Laminate (standard) or (optional) Corian or Linoleum.

Standard laminate and linoleum tops have a black, vinyl, “tear drop” edge molding. Corian Tops have a monolithic, full edge profile.

**Base Options:**

Zephyr bases provide rigid stability. Bases are available as “standard” and “electric lift”. Either base can also be configured with wheels.

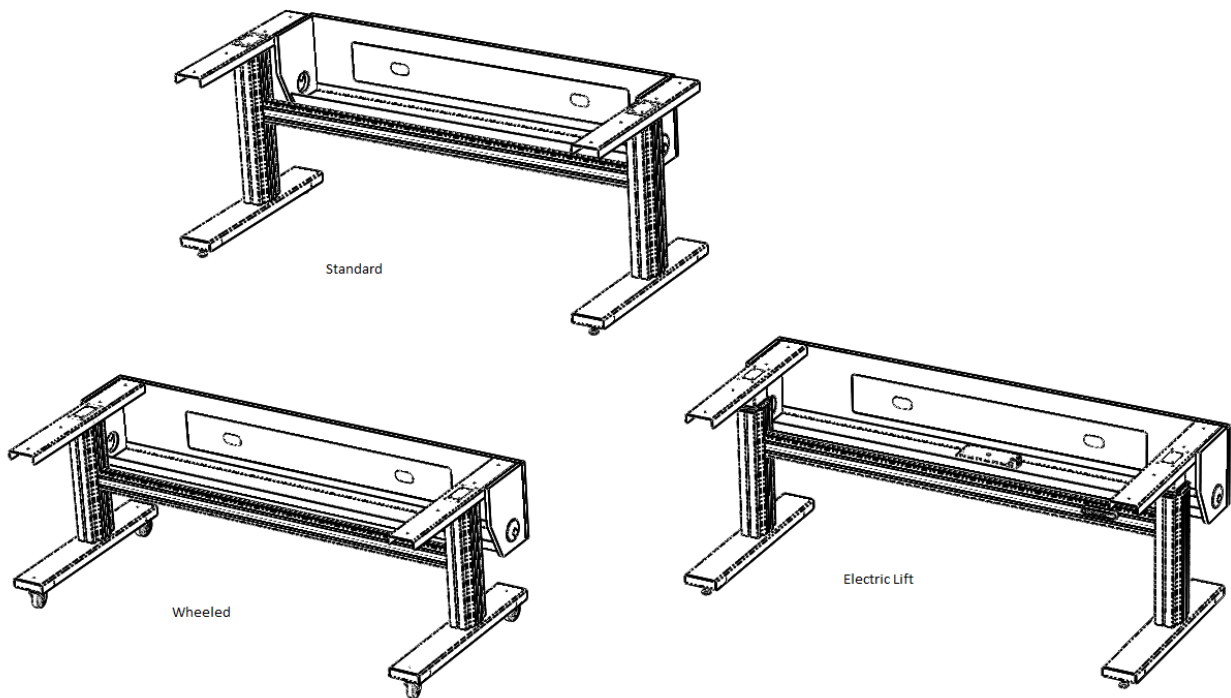


Figure 3. Zephyr base options

The bases include a chassis with three inch side grommets for running data and power into and out of the console. The chassis assembly also has an integrated, steel cable trough to manage and hide cables while providing easy access.

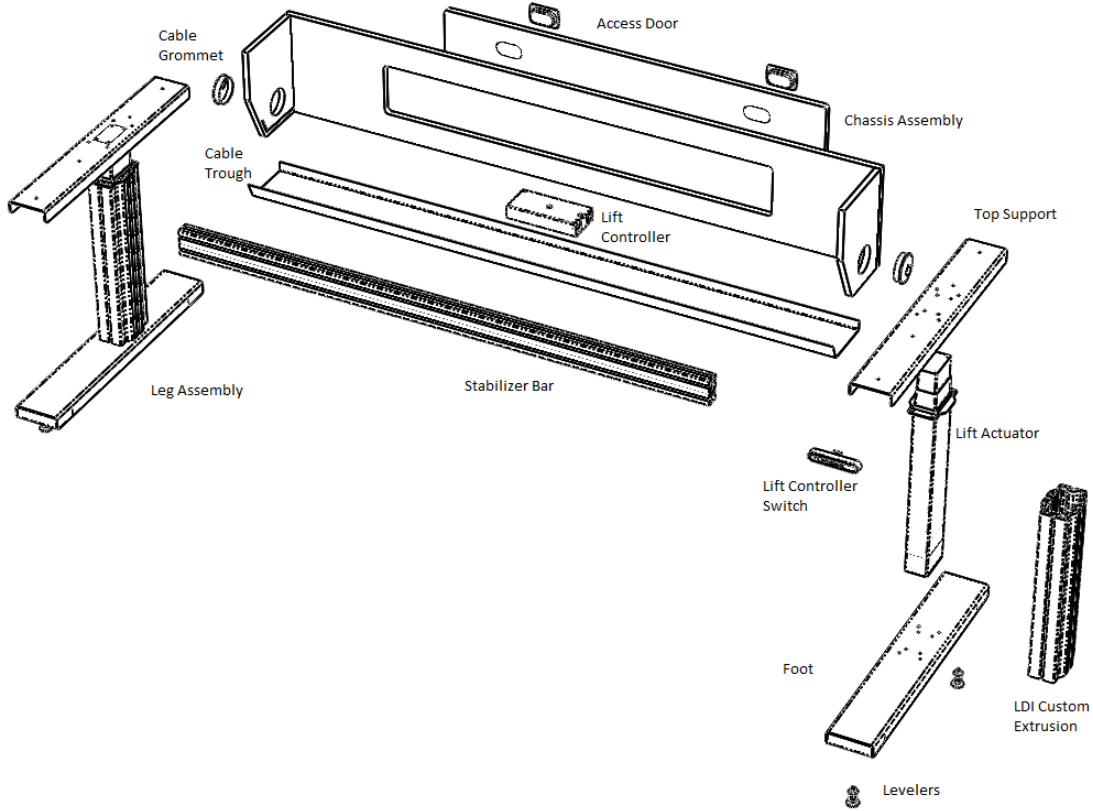


Figure 4. Zephyr base details (Exploded view)

**Turret Options:**

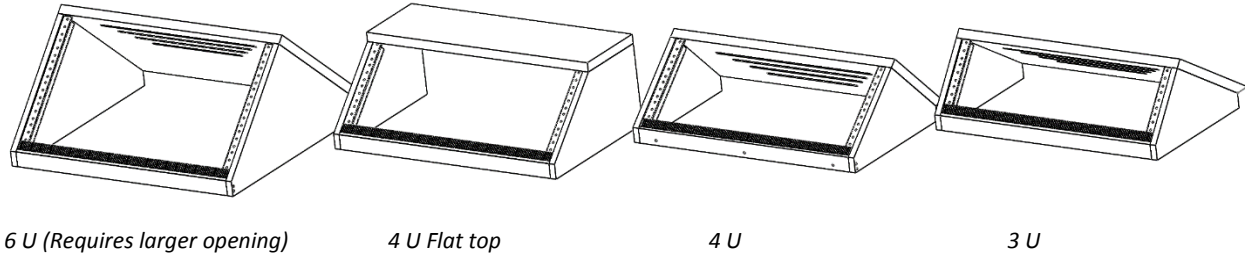
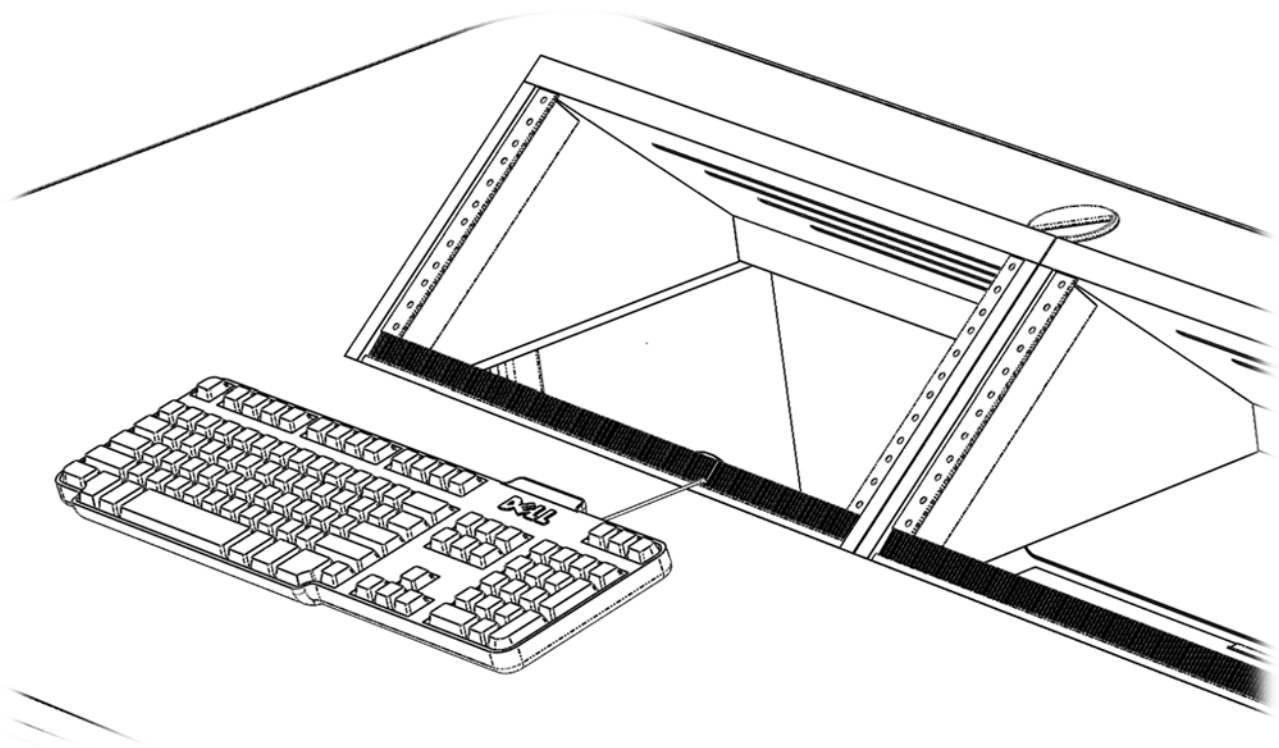


Figure 5. Zephyr turret options

Turret depths are equal. They are interchangeable! (6 unit turrets require additional depth.)

**New Turret Feature!**

**Now with a Brush Grommet cable pass-thru for easy cable routing!**



*Figure 6. Desk and turret detail*

Equipment turrets are easily removable for replacement and upgrades.

**Accessories:**

Laguna Designs offers many accessories to increase the versatility and usefulness in our consoles and desks.

We have available:

Monitor Stands, Speaker Mounts, Monitor Arms, Rack Enclosures, CPU holders, Keyboard Trays and more...

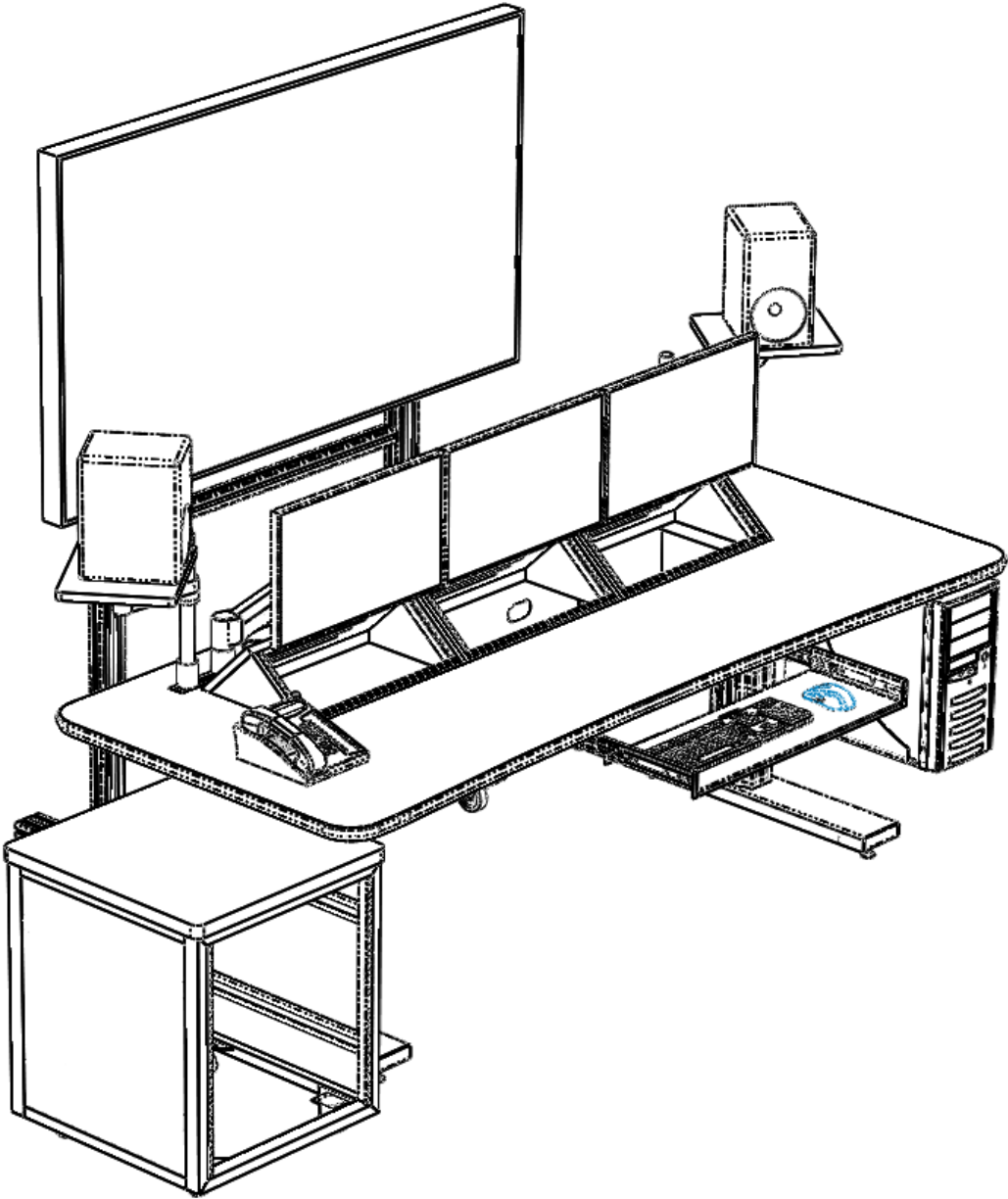


Figure 7. Zephyr (Typical Installation)

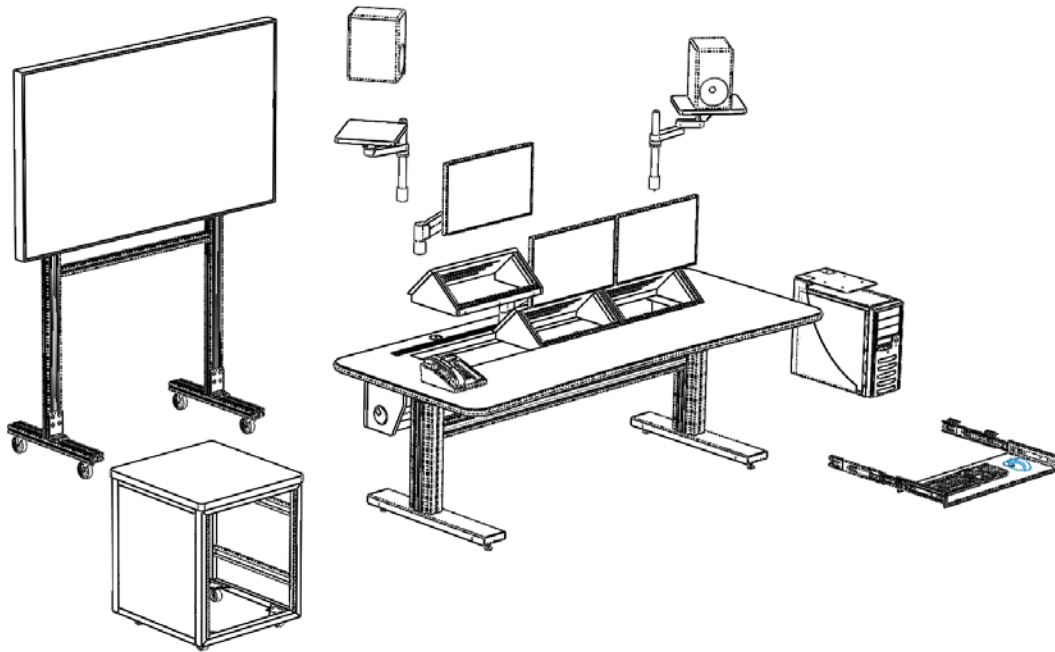


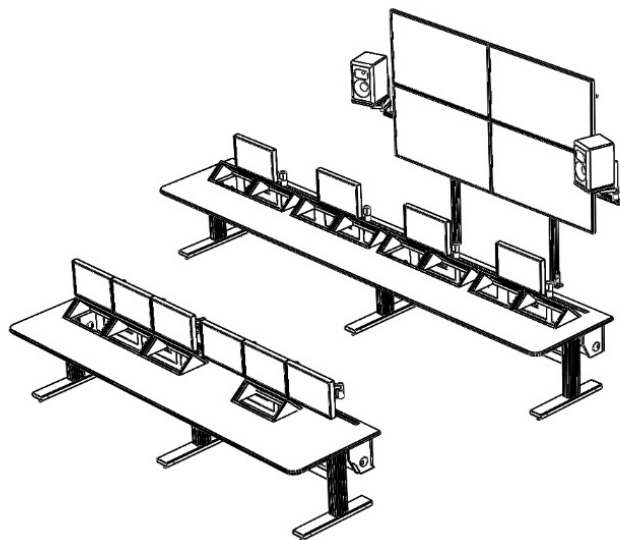
Figure 8. Zephyr line drawing--exploded

- Accessories shown:
- Rolling Monitor Stand
  - Under Counter 12 Unit Rolling Rack
  - Slide-out Keyboard Tray
  - Under Desk CPU Holder
  - Pole Mounted Articulating Speaker Supports
  - Interchangeable Equipment Turrets
  - Radial Monitor Arms

See our [Accessories Page](#) for more options and details.



**ZEPHYR CONNECT**



Zephyr components can be connected together with a continuous work surface to create multi position consoles. This is a great solution where cable management, power distribution and an accessory rail are required, but there is no need for integrated rack space below the console surface.

Console surfaces and edge profiles are uninterrupted.

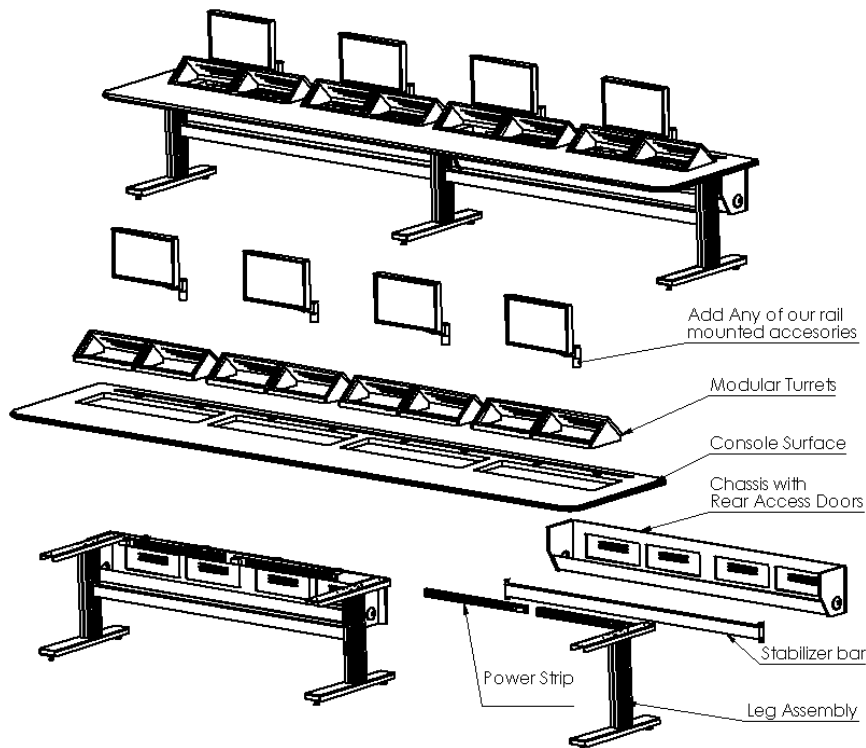
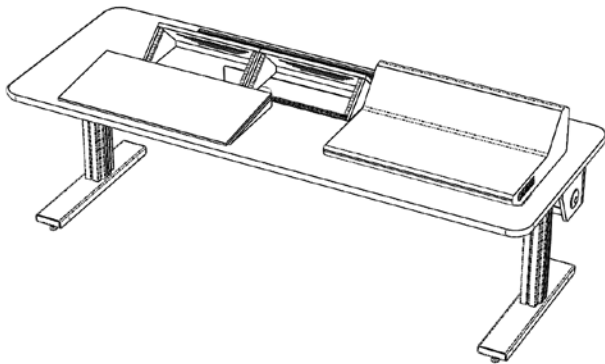


Figure 9 a & b. Zephyr Connect line drawings

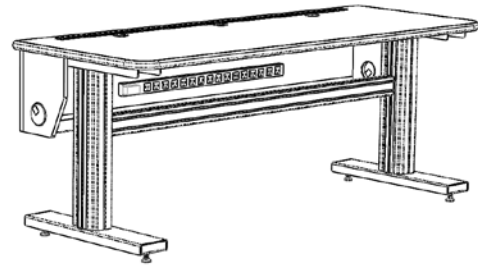
Connected Zephyr's can have electric lift bases (with three lifting columns up to 12'). Several configurations are available. Angled configurations are also available.

FINISH SELECTION: <http://www.lagunadesigns.com/finishes-guide>

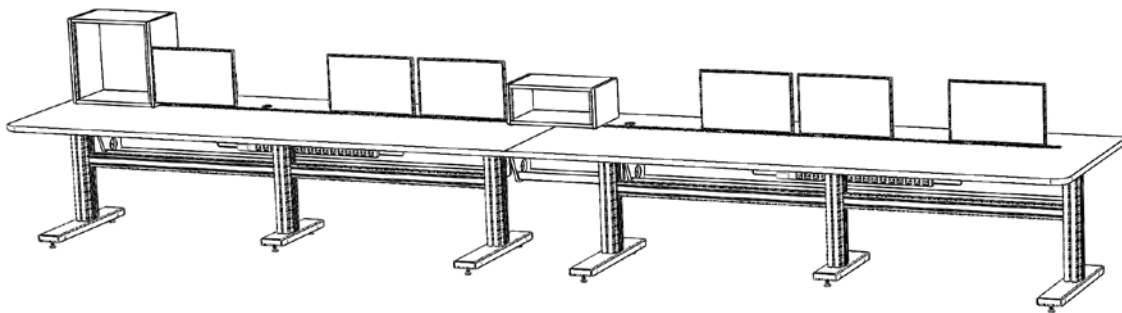




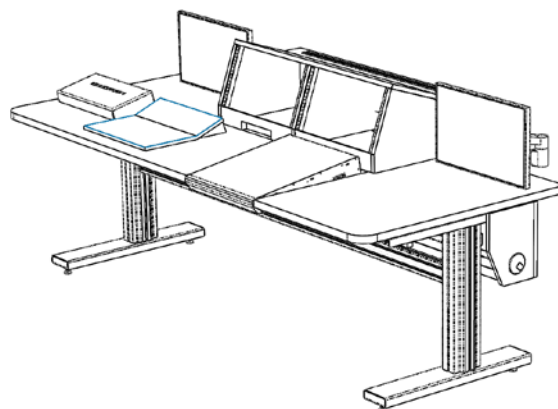
Z-3 with 2 turrets, mixer and switcher



Z-3 Bare (no turrets)



Zephyr Connect with desk top turrets



Custom Zephyr with cut-outs for a mixer, small switcher and 6U desk top turret.